

INSTALLATION INSTRUCTIONS

FOR LRP/PR/PRP 024-060 UNITS
48193-063/-064 / 11U78/11U79
"HINGE" ROOF CURB

This Roof Curb is built to NRCA specifications and is constructed of 18 gauge galvanized steel with a full perimeter 1" X 4" wood nailer strip.

Step 1:

Check for the correct number of parts. See list below.

11U78 (For 2-3 Ton Units)

1. 2 ea. Curb Short Sides - 37" long
2. 2 ea. Curb Long Sides - 37 ½" long
3. 1 ea. Vertical Brace - 34 ½" long
4. 1 ea. Horizontal Brace - 12 ⅛" long
5. 2 ea. Insulated Pans
6. 1 ea. Curb Restraints - 2"
7. 1 ea. Curb Restraints - 9 ⅜"
8. 1 ea. Curb Restraints - 10 ⅛"
9. 2 ea. Gasket ¾" x 1 ¼" x 14'
10. Hardware Package contains:
 - 4 ea. #10 x ¾" Hex Screws
 - 13 ea. #10 X ½" Hex Screws
 - 4 ea. "Hinge" Pins

11U79 (For 3.5-5 Ton Units)

1. 2 ea. Curb Short Sides - 36 ¼" long
2. 2 ea. Curb Long Sides - 45 ½" long
3. 1 ea. Vertical Brace 42 ⅜" long
4. 1 ea. Horizontal Brace 12 ⅛" long
5. 2 ea. Insulated Pans
6. 1 ea. Curb Restraints - 2"
7. 1 ea. Curb Restraints - 10 ⅝"
8. 1 ea. Curb Restraints - 10 ¾"
9. 2 ea. Gasket ¾" x 1 ¼" x 14'
10. Hardware Package contains:
 - 4 ea. #10 x ¾" Hex Screws
 - 13 ea. #10 X ½" Hex Screws
 - 4 ea. "Hinge" Pins

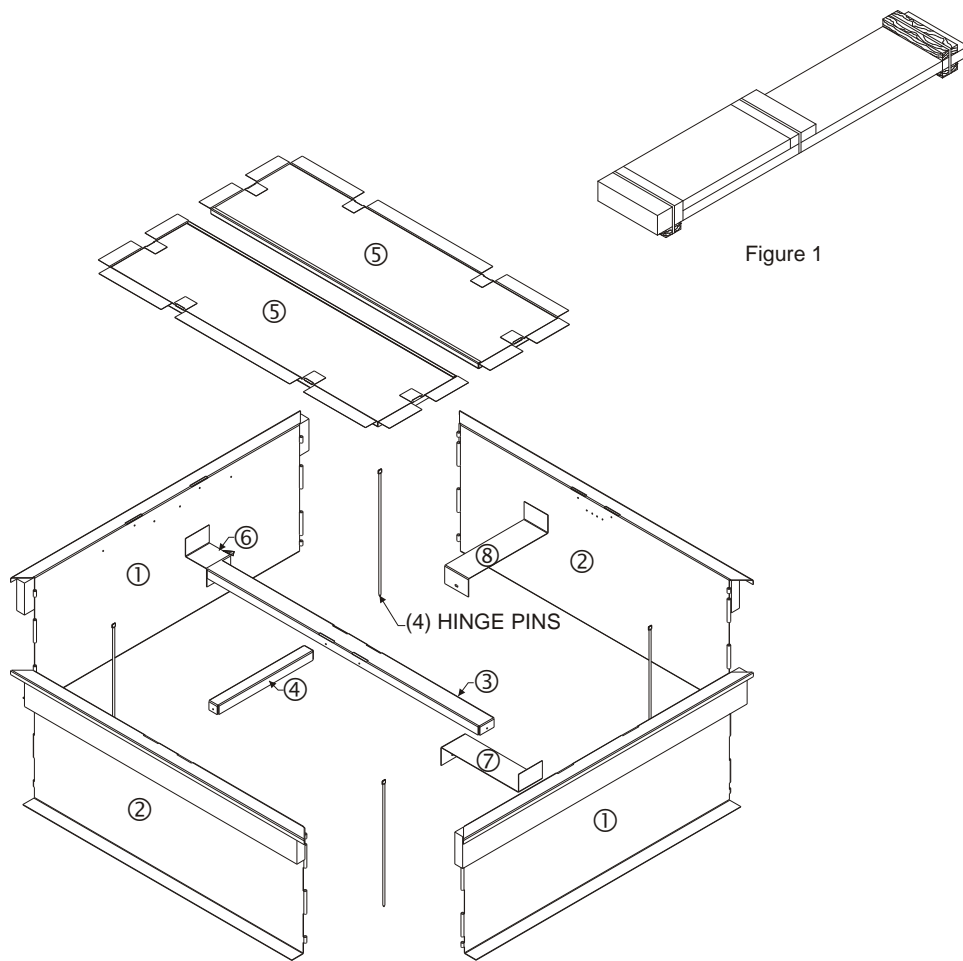


Figure 2

Step 2:

Layout the curb pieces before assembly to insure that all the necessary pieces are included.

U. S. PATENT 5148647

INSTALLATION INSTRUCTIONS

FOR LRP/PR/PRP 024-060 UNITS
48193-063/-064 / 11U78/11U79
"HINGE" ROOF CURB

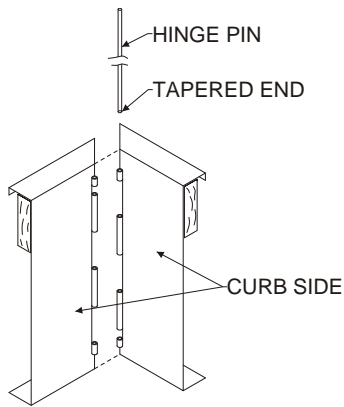


Figure 3

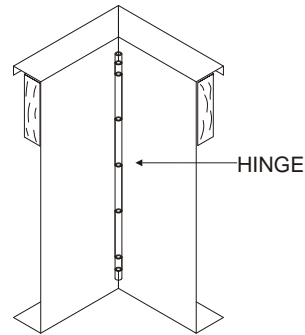


Figure 4

Step 3:

Corner Assembly: Align each curb side as shown in Figure 3. Using a hammer, drive the curb "hinge" pin down until the top of the pin is below the top of the curb as shown in Figure 4.

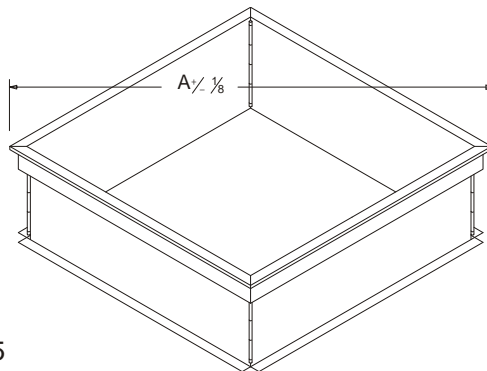


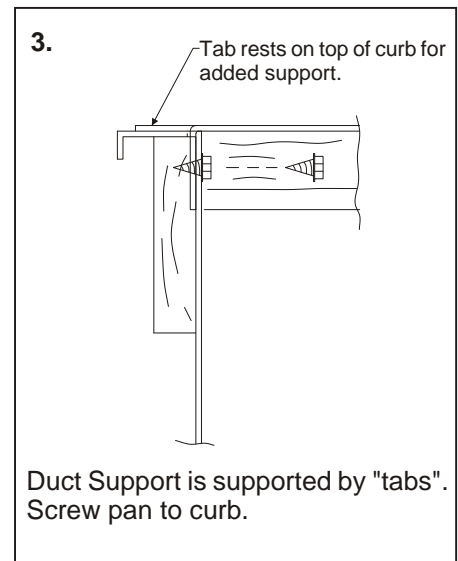
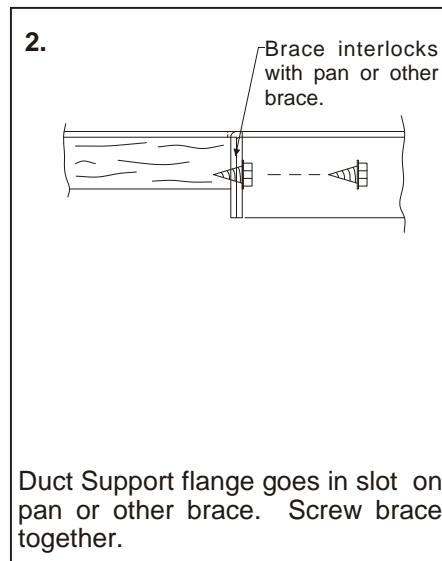
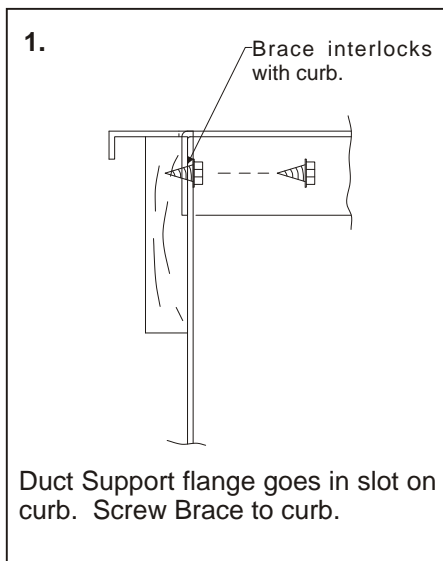
Figure 5

MODEL#	A
11U78	52 $\frac{1}{16}$
11U79	58 $\frac{1}{8}$

Step 4:

After the four corners are assembled; the curb should be checked to be sure it is in "square". Do this by measuring diagonally from each opposite corner. The two measurements should be the same for each direction.

DETAILS



INSTALLATION INSTRUCTIONS

FOR LRP/PR/PRP 024-060 UNITS
48193-063/-064 / 11U78/11U79
"HINGE" ROOF CURB

The Roof Curb can now have the braces and the insulated pans installed.

Step 5:

Place curb restraint ⑥ in location that is shown in Figure 6 and secure with screws provided. Do the same for the other curb restraints ⑦ and ⑧.

Step 6:

Install vertical brace ③ on the curb as shown with the roof opening over the desired duct location. See Figure 6.

Step 7:

Place the horizontal brace ④ on the curb and the duct support ③ making sure that it is in the right location as shown in Figure 6. Also See "DETAILS #1 and #2".

Step 8:

Place insulated pans ⑤ in curb as shown in Figure 6.

Step 9:

If the curb is being assembled & moved to another location, attach the brace & pans to the curb as shown in the "DETAILS".

Step 10:

Place the 3/4" x 1 1/4" gasket on the top edges of the curb, braces and pans.

UNIT#	MODEL#	A	B	C	D	E	F	G	H	I	J
LRP/PR/PRP 024-036	11U78	37 1/2	37	34 1/2	33 3/4	12	14 1/2	18 3/4	16 1/4	15 1/2	20
LRP/PR/PRP 042-060	11U79	45 1/2	36 1/4	42 3/8	33 1/16	12	20	21 3/16	21 9/16	15 1/2	20

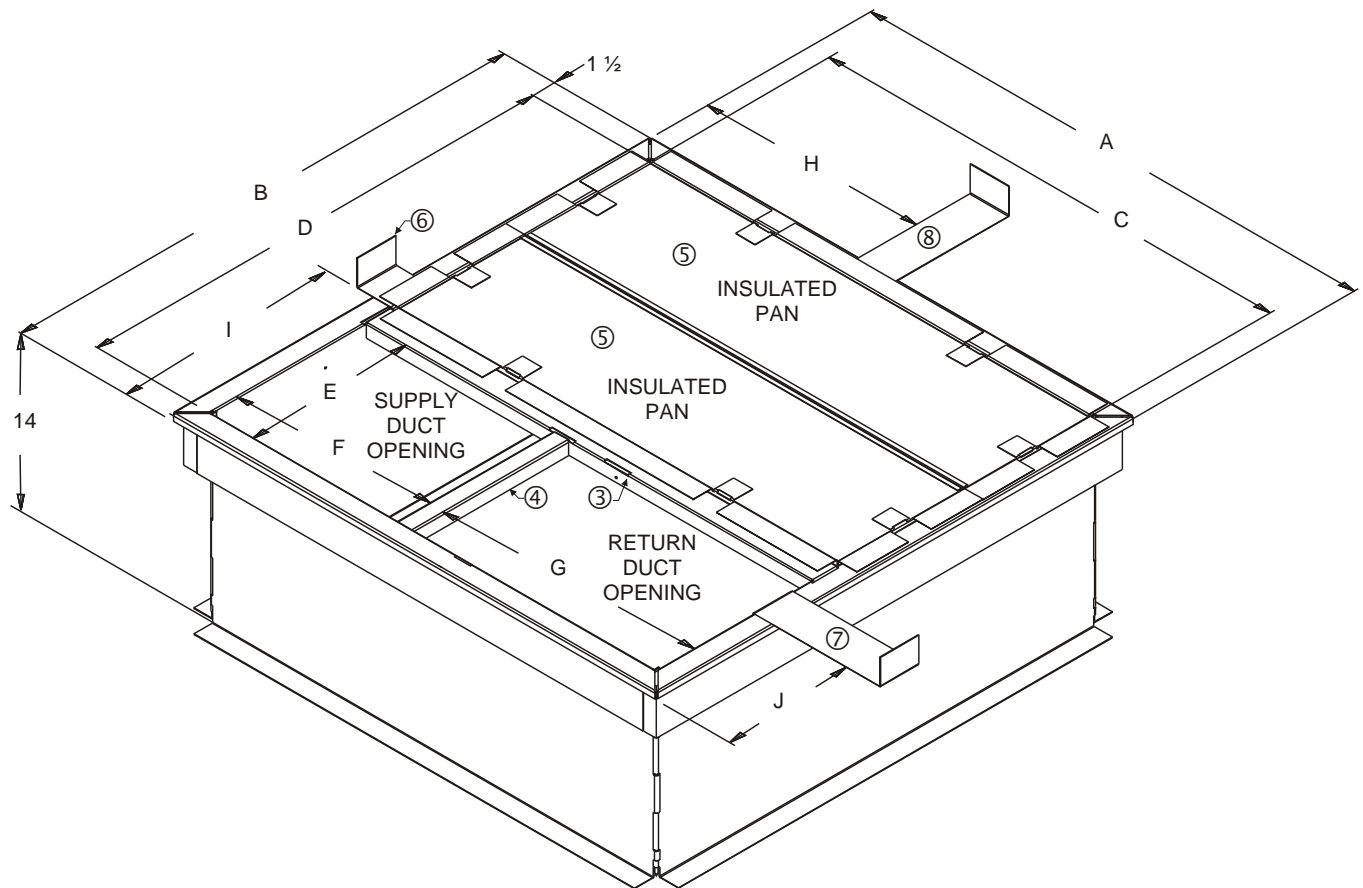


Figure 6

INSTALLATION INSTRUCTIONS

FOR LRP/PR/PRP 024-060 UNITS
48193-063/-064 / 11U78/11U79
"HINGE" ROOF CURB

ROOFING INSTRUCTIONS

